



Sơ đồ máy GKS 190

STT	Mã sản phẩm	Tên sản phẩm
2	1619P04474	Field 230V .
4	1619P06206	Switch .
5	2604460277	Power supply cord I/BR 2,65m 2 x 1,0mm H05 VV-F .
6	2600703017	Grommet Ø6,4-Ø7,2x76 MM .
7	1619P06313	Cable Clip .
9	1619P06209	Manufacturer's nameplate GKS 190 .
13	1619P00456	Ball Bearing 7x19x6 MM .
14	1619P06374	Bearing Cover Plate .
16	1619P06212	Brush Holder .
19	2603490021	Torx Oval-Head Screw 4x12 .
22	1619P06213	Right Angle Plug .
23	1619P06218	End cap BLACK
24	1619P06219	Baffle .
26	1619P06220	Set Of Handles .
27	1619P06227	Rubber Ring .
28	1619P06221	Connecting Cable .
29	1619P06222	Connecting Cable .
37	1619P06225	Cap .
38	1619P06226	Guide Bracket .
39	1619P01642	Compression Spring .
50	1619P06230	Washer .
51	1619P07470	Locking Washer .
52	1619P06232	Screw .
54	1619P06238	Locking Washer .
58	1619P06234	Pivoting Blade Guard .
59	1619P06235	Lever .
60	1619P06334	Extension Spring .



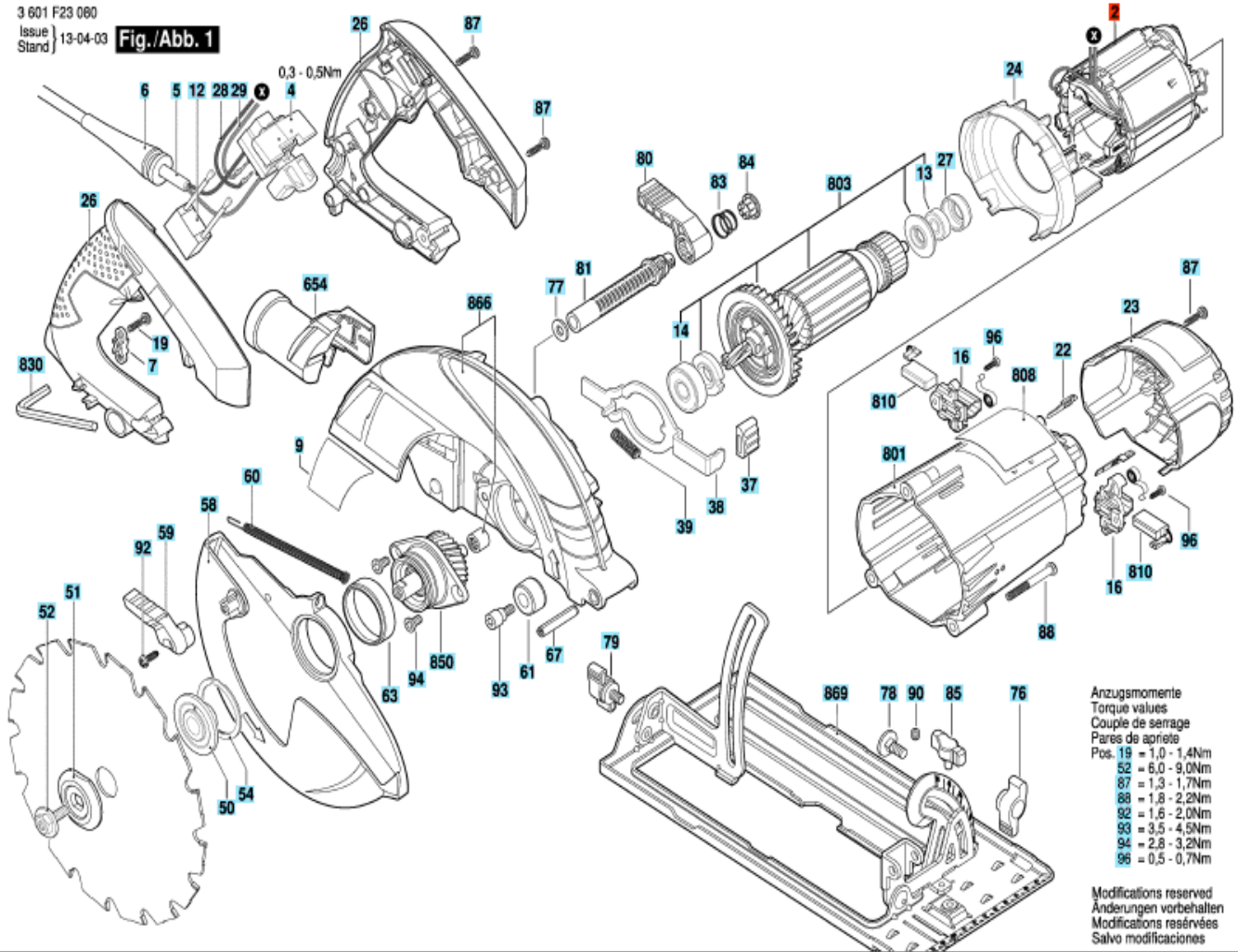
Sơ đồ máy GKS 190

61	1619P06236	Bumper BLACK
63	1619P06237	Flange Bushing .
67	2917800253	Coiled Spring Pin DIN ISO 8750-6x35-St .
76	1619P06244	Wing Nut .
77	2916011014	Plain Washer DIN 125-A 6,4-ST .
78	1619P06211	Round-Head Bolt .
79	1619P06316	Wing Screw .
80	1619P06245	Adjusting Lever .
81	1619P07620	Adjustment rod .
83	1619X01792	Spring BLACK
84	2610918145	Cover .
85	1619P01618	Wing Screw BLACK
87	2603490022	Torx Oval-Head Screw 4x16 .
88	2610925864	Screw .
90	1619P04540	Adjusting Screw BLACK
92	1619P01678	Screw .
93	1619P06246	Screw .
94	2610924687	Countersunk-Head Screw .
96	1619P06252	Torx Oval-Head Screw .
654	1619P06204	Vacuum Adapter .
801	1619P06372	Motor Housing BLUE
803	1619P06345	Armature set 230V .
808	1619P06380	Nameplate .
810	1619P06346	Carbon-Brush Set .
830	1907950006	Offset Screwdriver DIN 911-SW5 BLACK
850	1619P06392	Gear .
866	1619P07286	Protective Cover .
869	1619P06391	Base Plate .

Sơ đồ máy GKS 190

3 601 F23 080
Issue
Stand 13-04-03

Fig./Abb. 1



- Anzugsmomente
Torque values
Couple de serrage
Pares de apriete
- Pos. 19 = 1,0 - 1,4Nm
 - 52 = 6,0 - 9,0Nm
 - 67 = 1,3 - 1,7Nm
 - 88 = 1,8 - 2,2Nm
 - 92 = 1,6 - 2,0Nm
 - 93 = 3,5 - 4,5Nm
 - 94 = 2,8 - 3,2Nm
 - 96 = 0,5 - 0,7Nm

Modifications reserved
Änderungen vorbehalten
Modifications réservées
Salvo modificaciones