

SPARE PARTS LIST

MODEL NO. LS1040

ITEM	PART NO.	DESCRIPTION	QTY	NOTE
001	416004-6	HANDLE COVER	1	
002	211206-7	BALL BEARING 6202LLB	1	
003	267280-3	FLAT WASHER 15	1	
004	343641-2	SHAFT LOCK	1	
005	241909-9	FAN 80	1	
006	516718-8	ARMATURE ASS'Y 220V INC. 2,3,5,7,8	1	
007	681640-9	INSULATION WASHER	1	
008	211061-7	BALL BEARING 6000LLB	1	
009	416442-2	BAFFLE PLATE	1	
010	526068-3	FIELD ASS'Y 220-240V	1	
011	265995-6	TAPPING SCREW 4X18	2	
012	687053-2	STRAIN RELIEF	1	
013	691216-4	POWER SUPPLY CORD 1.25-2-2.5	1	
014	682505-8	CORD GUARD 10-90	1	
015	851559-8	NAME PLATE LS1040	1	
016	265995-6	TAPPING SCREW 4X18	5	
017	911383-2	PAN HEAD SCREW M6X60	4	
018	411478-6	SWITCH BUTTON	1	
019	643650-4	BRUSH HOLDER CAP 6.5-13.5	2	
020	181044-0	CARBON BRUSH CB-153	1	
021	153792-1	MOTOR HOUSING COMPLETE	1	
022	651923-1	SWITCH TG70B	1	
023	231457-6	COMPRESSION SPRING 3	1	
024	416000-4	LOCK OFF LEVER	1	
025	415999-0	SWITCH LEVER	1	
026	414546-4	CAM	1	
027	266029-8	TAPPING SCREW 5X65	2	
028	231297-2	COMPRESSION SPRING 9	1	
029	251667-9	HEX. BOLT M8X75	1	
030	262511-5	RUBBER SLEEVE 6	1	
031	265995-6	TAPPING SCREW 4X18	1	
032	416007-0	GUIDE COVER	1	
033	226465-0	HELICAL GEAR 42	1	
034	316821-3	BEARING BOX	1	
035	211256-2	BALL BEARING 6203LLB	1	
036	285685-5	BEARING RETAINER 64	1	
037	322865-3	SPINDLE	1	
038	224333-1	FLANGE 53	1	
039	224333-1	FLANGE 53	1	
040	265355-2	HEX. FLANGE HEAD BOLT M8X20	1	
041	343639-9	CENTER PLATE	1	
042	344380-7	CENTER COVER	1	
043	265324-3	HEX. FLANGE HEAD BOLT M8X12	1	
044	231593-8	TORSION SPRING 36	1	
045	416003-8	SAFETY COVER	1	
046	267136-0	FLAT WASHER 5	1	
047	911213-7	PAN HEAD SCREW M5X12	1	
048	265985-9	HEX.SOCKET HEAD BOLT M6	1	
049	911223-4	PAN HEAD SCREW M5X16	2	
050	819064-1	MAKITA MARK	1	
051	188324-5	BLADE CASE SET	1	
052	265488-3	HEX. BOLT M8X30	4	
053	316826-3	GUIDE RULE	1	
054	912342-9	COUNTERSUNK HEAD SCREW M6X25	1	
055	253715-0	FLAT WASHER 6	1	
056	150662-5	SUB FENCE COMPLETE	1	
057	344476-4	SUB FENCE PLATE	1	
058	252014-7	HEX. LOCK NUT M6-10	1	
059	251961-9	H.S.SET SCREW(FLAT POINT)M6X10	1	
060	257162-7	RING 7	1	

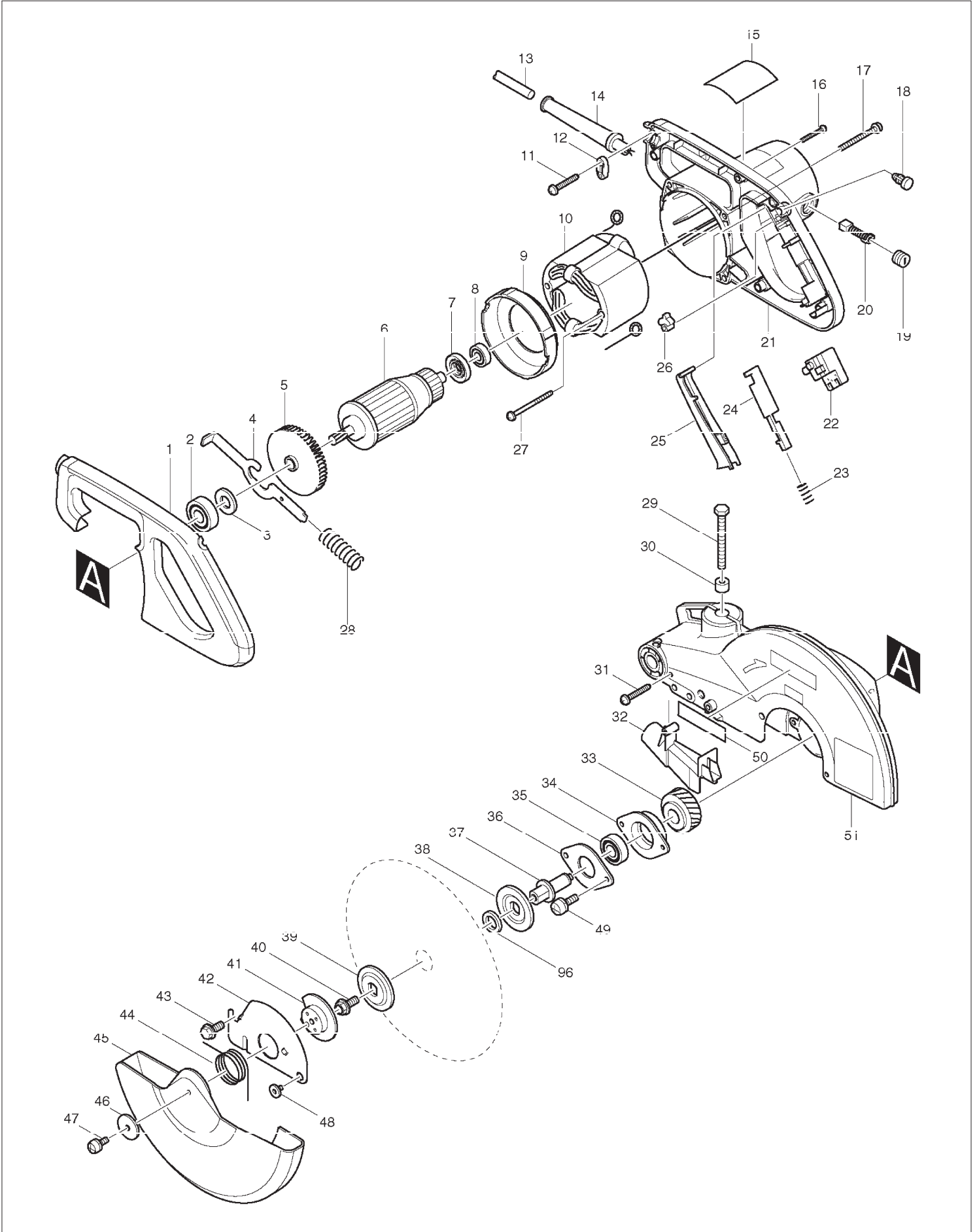
SPARE PARTS LIST

MODEL NO. LS1040

ITEM	PART NO.	DESCRIPTION	QTY	NOTE
061	253823-7	FLAT WASHER 7	1	
062	265984-1	HEX.SOCKET BUTTON HEAD BOLT M6	1	
063	344377-6	LINK PLATE	1	
064	265984-1	HEX.SOCKET BUTTON HEAD BOLT M6	1	
065	253823-7	FLAT WASHER 7	1	
066	257162-7	RING 7	1	
067	416006-2	LEVER 100	1	
068	911113-1	PAN HEAD SCREW M4X10	1	
069	265437-0	HEX. BOLT M10	1	
070	253024-7	FLAT WASHER 10	1	
071	256836-7	ROD 16	1	
072	154463-3	ARM COMPLETE	1	
073	322317-4	STOPPER PIN	1	
074	213021-5	O RING 5	1	
075	233152-4	COMPRESSION SPRING 28	1	
076	344464-1	SPRING HOLDER	1	
077	256280-8	PIN 8	1	
079	911113-1	PAN HEAD SCREW M4X10	1	
080	344385-7	POINTER	1	
081	343799-7	SLIDE PLATE	3	
082	921452-1	HEX. BOLT M8X30	1	
083	911213-7	PAN HEAD SCREW M5X12	2	
084	273495-2	GRIP 32	1	
085	344381-5	KNOCK SPRING	1	
086	150585-7	BASE COMPLETE	1	
087	316824-7	TURN BASE	1	
088	416001-2	KERF BOARD	1	
089	416001-2	KERF BOARD	1	
090	921452-1	HEX. BOLT M8X30	1	
091	931402-8	HEX. NUT M8	1	
092	252105-4	HEX. LOCK NUT M8-13	1	
093	253762-1	FLAT WASHER 8	1	
094	931402-8	HEX. NUT M8	1	
095	921452-1	HEX. BOLT M8X30	1	
096	257060-5	RING 15.8	1	
097	251887-5	SCREW M6X10	1	
098	265708-5	SCREW M6X20	2	
A01	411478-6	SWITCH BUTTON	2	
A02	762001-3	TRIANGULAR RULE	1	
A03	782212-4	SOCKET WRENCH 13	1	
A04	122523-9	DUST BAG ASS'Y	1	
A05	193471-9	SUB PLATE ASS'Y	1	
A06	122536-0	WISE ASS'Y	1	
A07	257022-3	RING 16	1	
A08	322312-4	HOLDER	2	
E05	651941-9	SWITCH V-15-2A5	1	

SERVICE DRAWING

MODEL NO. LS1040



SERVICE DRAWING

MODEL NO. LS1040

