

Mặt hàng	Mã số phụ	Mô Tả	I/C	Qty	N/O	Sales	Note
001	6908502400	TUBE,CABLE		1			
002	0630039751	CONTROL CABLE		1			
003	0043604203	SCREW ASSEMBLY M4X20		2	*		
003-1	0140049770	SCREW ASSY M4X16(W,SW)	O	2	*		
003-2	922128-3	HEX. SOCKET HEAD BOLT M4X16	O	2			
004	0662009650	STOP SWITCH		1	*		
004-1	0660000371	SWITCH ASSY	O	1			
005	6906507500	PLATE, SWITCH		1			
006	0170049990	NUT M4		1			
007	6906503600	WIRE		1			
008	0140059310	SCREW M5X14(W)		2			
009	0023704000	FLANGE NUT M4		1			
010	0023705000	FLANGE NUT M5		9			
011	6906505500	PLATE,CONTROL LEVER		1			
012	6945002000	LEVER COMPLETE		1			
013	0213189970	GASKET		2			
014	6986502100	JOINT		2			
015	6974007000	STRAINER SUCTION		1			
016	6904503601	STRAINER, TANK		1			
017	6954015000	CAP COMPLETE		1			
018	6909070000	BAND COMPLETE		2	*		
018-1	6909070001	BAND COMPLETE	O	2			
019	6904017000	TANK CP		1	*		
019-1	6904017002	TANK COMPL	O	1			
020	5929505400	LABEL		1			
021	6909539700	LABEL,CAUTION		1			
022	6909538900	LABEL,TANK		1			
023	6908502602	TUBE,CABLE		1			
024	0851289950	TUBE		1			
025	0561149980	HOSE CLAMP		2			
026	6908502501	TUBE,CABLE		1			
027	0851389980	TUBE		1			
028	0561159960	HOSE,CLAMP		2			
029	6974500600	NUT,SUCTION		2			
030	6906504300	DAMPER(1)CP		4	*		
030-1	6906504301	DAMPER(1)COMPLETE	<	4			
031	0023706000	FLANGE NUT M6		1	*		
031-1	264092-5	FLANGE NUT M6	O	1			
032	0011005400	BOLT AY M5X40		2			
033	0031205000	WASHER		2			
034	6906507301	PLATE		1			
035	6901504301	BOLT		1			
036	0023704000	FLANGE NUT M4		1			
037	0561159970	HOSE CLAMP		1			
038	0043604203	SCREW ASSEMBLY M4X20		1			
039	6904507500	HOOK		2			
040	6824505200	CAP		1	*		
040-1	453615-6	CAP	O	1			

Mặt hàng	Mã số phụ	Mô Tả	I/C	Qty	N/O	Sales	Note
041	6904500300	GASKET, BLIND		1			
042	6904507400	CUSHION		1			
043	0031205000	WASHER		4			
044	0140059980	SCREW M5X10		4	*		
044-1	0043605120	SCREW ASS'Y M5X12	O	4			
045	10266100MS	ELBOW		1	*		
045-1	MR00102661	ELBOW	O	1			
046	10846000MS	PLUG		1	*		
046-1	MR00108460	PLUG	O	1			
047	01417500MS	O RING		4	*		
047-1	MR00014175	O RING	O	4			
048	10055400MS	PIPE		2	*		
048-1	MR00100554	PIPE	O	2			
049	12183200MS	CRANK CASE AY		1	*		
049-1	MR00121832	CRANK CASE AY	O	1			
050	08123800MS	NUT M5		12	*		
050-1	MR00081238	NUT M5	O	12			
051	10268300MS	OIL SEAL		2	*		
051-1	MR00102683	OIL SEAL	O	2			
052	10619000MS	COLLER		2	*		
052-1	MR00106190	COLLAR	O	2			
053	11225200MS	SEAL PACKING		2	*		
053-1	MR00112252	SEAL PACKING	O	2			
054	10235800MS	SEAL HOLDER		2	*		
054-1	MR00102358	SEAL HOLDER	O	2			
055	01397700MS	O RING		2	*		
055-1	MR00013977	O RING	O	2			
056	04342600MS	SUCTION VALVE		2	*		
056-1	MR00043426	SUCTION VALVE	O	2			
057	10044100MS	PISTON PACKING AY		2	*		
057-1	MR00100441	PISTON PACKING AY	O	2			
058	02335700MS	SUCTION VALVE COLLER		2	*		
058-1	MR00023357	SUCTION VALVE COLLAR	O	2			
059	02202300MS	SUCTION VALVE STOPPER		2	*		
059-1	MR00022023	SUCTION VALVE STOPPER	O	2			
060	01584800MS	SPRING WASHER M5		2	*		
060-1	MR00015848	SPRING WASHER M5	O	2			
061	11835700MS	BOLT M5X45X22		2	*		
061-1	MR00118357	BOLT M5X45X22	O	2			
062	10313000MS	CYLINDER PIPE		2	*		
062-1	MR00103130	CYLINDER PIPE	O	2			
063	02317200MS	O RING		2	*		
063-1	MR00023172	O RING	O	2			
064	11801800MS	VALVE SEAT		2	*		
064-1	MR00118018	VALVE SEAT	O	2			
065	10357500MS	O RING		2	*		
065-1	MR00103575	O RING	O	2			
066	04372300MS	VALVE		2	*		

Mặt hàng	Mã số phụ	Mô Tả	I/C	Qty	N/O	Sales	Note
066-1	MR00043723	VALVE	O	2			
067	04336000MS	COIL SPRING		2	*		
067-1	MR00043360	COIL SPRING	O	2			
068	01398300MS	O RING		2	*		
068-1	MR00013983	O RING	O	2			
069	10312800MS	CYLINDER HEAD A		1	*		
069-1	MR00103128	CYLINDER HEAD A	O	1			
070	12195600MS	SCREW AY M5X32(W,SW)		8	*		
070-1	MR00121956	SCREW AY M5X32(W,SW)	O	8			
071	12117900MS	CORN ROD		1	*		
071-1	MR00121179	CORN ROD	O	1	*		
071-2	XMR0121179	CORN ROD	O	1			
072	11805500MS	SLEEVE		2	*		
072-1	MR00118055	SLEEVE	O	2			
073	02154900MS	O RING		2	*		
073-1	MR00021549	O RING	O	2			
074	81603600MS	SCREW AY M5X60(W,SW)		4	*		
074-1	MR00816036	SCREW AY M5X60(W,SW)	O	4			
075	08103900MS	NUT M8		1	*		
075-1	MR00081039	NUT M8	O	1			
076	01406500MS	WASHER M8		1	*		
076-1	MR00014065	WASHER M8	O	1			
077	10719800MS	CAM HANDLE		1	*		
077-1	MR00107198	CAM HANDLE	O	1			
078	10327000MS	COLLER		1	*		
078-1	MR00103270	COLLAR	O	1			
079	02001200MS	WASHER		1	*		
079-1	MR00020012	WASHER	O	1			
080	10313200MS	SPRING CASE		1	*		
080-1	MR00103132	SPRING CASE	O	1			
081	12161800MS	SPRING HOLDER		1	*		
081-1	MR00121618	SPRING HOLDER	O	1			
082	01168200MS	O RING		1	*		
082-1	MR00011682	O RING	O	1			
083	10375900MS	SPRING		1	*		
083-1	MR00103759	SPRING	O	1			
084	12161900MS	VALVE		1	*		
084-1	MR00121619	VALVE	O	1			
085	01134600MS	O RING		1	*		
085-1	MR00011346	O RING	O	1			
086	10374600MS	VALVE SEAT		1	*		
086-1	MR00103746	VALVE SEAT	O	1			
087	01134300MS	O RING		1	*		
087-1	MR00011343	O RING	O	1			
088	10263400MS	CYLINDER HEAD B		1	*		
088-1	MR00102634	CYLINDER HEAD B	O	1			
089	11808500MS	BOLT AY M6X55		4	*		
089-1	MR00118085	BOLT AY M6X55	O	4			

Mặt hàng	Mã số phụ	Mô Tả	I/C	Qty	N/O	Sales	Note
090	11800600MS	BEARING CASE		1	*		
090-1	MR00118006	BEARING CASE	O	1			
091	10268000MS	BEARING		1	*		
091-1	MR00102680	BEARING	O	1			
092	12201300MS	MISSION UNIT		1	*		
092-1	MR00122013	MISSION UNIT	O	1			
093	0011606160	BOLT M6X16		4			
094	5923501300	SPRING RETAINER		2	*		
094-1	325668-4	SPRING RETAINER	O	2			
095	5923501200	VALVE SPRING		2	*		
095-1	234108-0	COMPRESSION SPRING 9	O	2			
096	5933500100	ROCKER SHAFT		1	*		
096-1	256200-2	PIN 5	O	1			
097	5923501500	INTAKE VALVE		1	*		
097-1	325670-7	INTAKE VALVE	O	1	*		
097-2	326367-1	INTAKE VALVE	O	1			
098	5923501400	EXHAUST VALVE		1	*		
098-1	325669-2	EXHAUST VALVE	O	1	*		
098-2	326366-3	EXHAUST VALVE	O	1			
099	5933003000	CAM GEAR ASS'Y		1	*		
099-1	125552-1	CAM GEAR ASSEMBLY	O	1			
100	5923500501	CAM GEAR SHAFT		1	*		
100-1	268238-5	PIN 5	O	1			
101	5923500001	CAM LIFTER		2	*		
101-1	313169-4	CAM LIFTER	O	2			
102	5923500600	CAM LIFTER SHAFT		1	*		
102-1	268239-3	PIN 4	O	1			
103	5923500700	PUSH ROD		2	*		
103-1	256865-0	ROD 2.5	O	2			
104	5933002000	ROCKER ARM ASS'Y		2	*		
104-1	125554-7	ROCKER ARM ASSEMBLY	O	2			
105	5927500000	PLUG COVER		1	*		
105-1	450568-0	PLUG COVER	O	1			
106	5925500800	CYLINDER COVER		1			
107	0566059980	CLAMP		1	*		
107-1	345963-6	CLAMP	O	1			
108	0140059370	SCREW ASS'Y M5X12		2	*		
108-1	266808-4	P.H.SCREW M5X12 WITH WR	O	2			
109	0140049770	SCREW ASSY M4X16(W,SW)		2			
110	0119059520	SOCKET HEAD BOLT M5X40		2	*		
110-1	266440-4	HEX SOCKET HEAD BOLT M5X40	O	2			
111	0140059962	SCREW M5X5		1			
112	5923503400	MUFFLER COVER		1	*		
112-1	345915-7	MUFFLER COVER	O	1			
113	5923008001	MUFFLER AY		1			
D10		INC.114					
114	5923008011	SPARK ARRESTER		1	*		
114-1	324980-9	SPARK ARRESTER	O	1			

Mặt hàng	Mã số phụ	Mô Tả	I/C	Qty	N/O	Sales	Note
115	5923501601	MUFFLER GASKET		1	*		
115-1	345916-5	MUFFLER GASKET	O	1			
116	0043605160	SCREW ASS'Y M5X16 (W,SW)		3	*		
116-1	0119059531	SOCKET HEAD BOLT M5X16(W,SW)	O	3	*		
116-2	266813-1	H.S.H.BOLT M5X16 WITH WR	O	3			
117	5921004001	ROCKER COVER COMPLETE		1	*		
117-1	140023-7	ROCKER COVER COMPLETE	O	1			
118	5921500800	ROCKER COVER GASKET		1	*		
118-1	162275-0	ROCKER COVER GASKET	O	1			
119	0650109950	SPARK PLUG CMR6A		1	*		
119-1	168401-9	SPARK PLUG	O	1			
120	5255501100	HOUSING,BLOWER		1			
121	0140059350	SCREW ASS'Y M5X18(W,SW)		3	*		
121-1	0119059470	SOCKET HEAD BOLT M5X16	O	3	*		
121-2	266812-3	H.S.H.BOLT M5X16	O	3			
122	5922004000	PISTON RING SET		1	*		
122-1	195145-8	PISTON RING SET	O	1	*		
122-2	196595-0	PISTON RING SET	O	1			
123	5232502600	PISTON PIN		1	*		
123-1	257781-9	PISTON PIN	O	1			
124	5922500900	PISTON		1	*		
124-1	318441-9	PISTON	O	1			
125	0565089970	CLIP		2	*		
125-1	233976-8	CLIP	O	2			
126	0440129960	OIL SEAL (L)		1	*		
126-1	213147-3	OIL SEAL 12	O	1			
127	5421500500	CLIP		1	*		
127-1	267400-9	FLAT WASHER 23	O	1			
128	5922003000	CRANK SHAFT ASS'Y		1	*		
128-1	135374-1	CRANKSHAFT ASSEMBLY	O	1			
129	0440109970	OIL SEAL (S)		1	*		
129-1	213148-1	OIL SEAL 10	O	1	*		
129-2	213769-9	OIL SEAL 10	O	1			
130	5927500100	PLUG CAP		1	*		
130-1	424105-6	PLUG CAP	O	1			
131	0654009931	PLUG CAP SPRING		1	*		
131-1	324891-8	PLUG CAP SPRING	O	1			
132	5257500300	GROMMET		1	*		
133	5257018001	WIRE COMPLETE		1	*		
133-1	638665-4	LEAD UNIT	O	1			
134	5927012011	IGNITION COIL		1	*		
134-1	168501-5	IGNITION COIL	O	1			
135	0043704200	SCREW ASS'Y M4X20		2	*		
135-1	0119049970	SOCKET HEAD BOLT M4X20	O	2			
136	5927009010	FLYWHEEL		1			
137	0130069940	BOLT ASSEMBLY M6X16(W,SW)		1	*		
137-1	265577-4	HEX HEAD BOLT M6X16	O	1			
138	5258001010	CLUTCH SPRING		1			

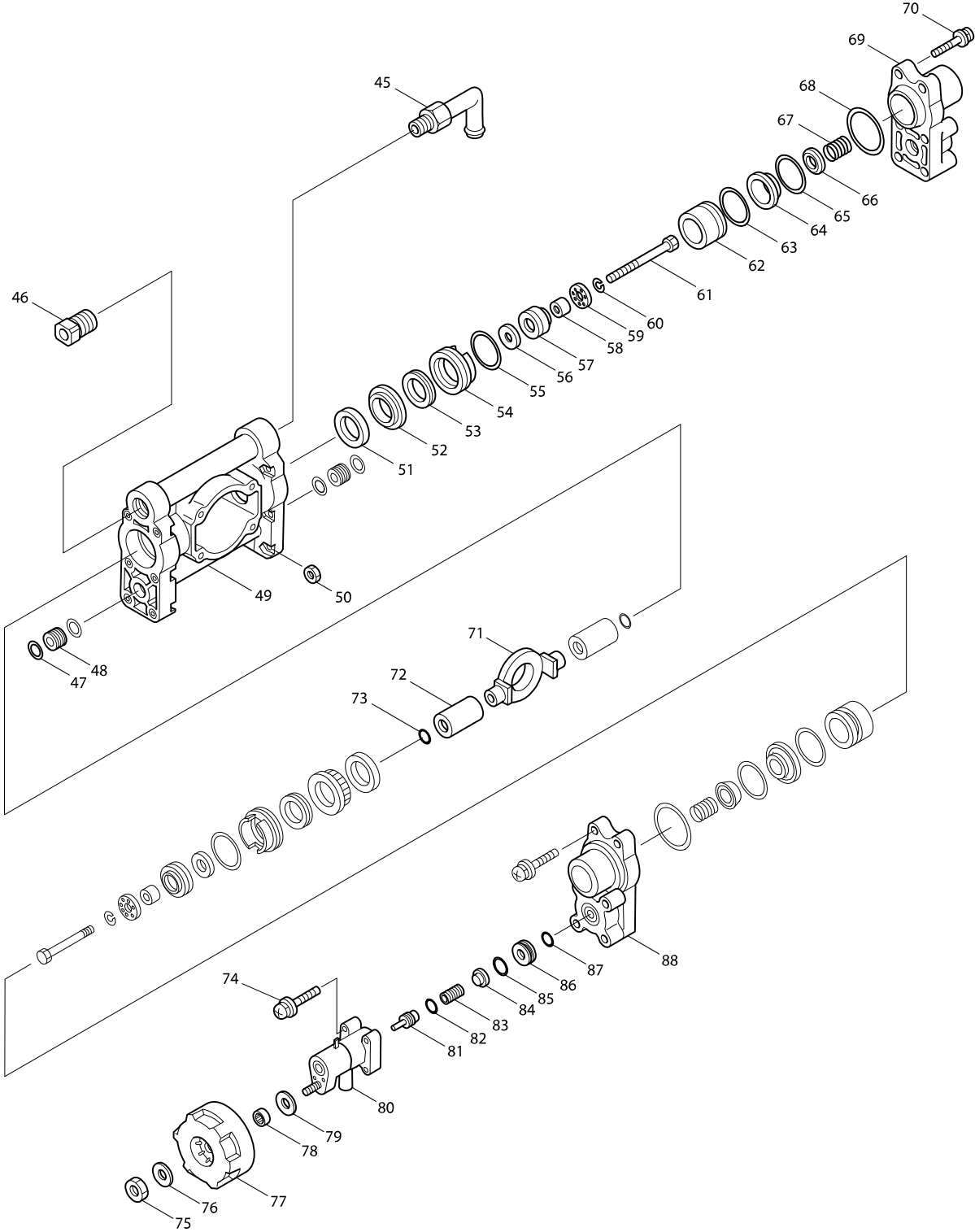
Mặt hàng	Mã số phụ	Mô Tả	I/C	Qty	N/O	Sales	Note
139	6202500600	WASHER		2	*		
139-1	267429-5	FLAT WASHER 6	O	2			
140	5258002010	SHOE,CLUTCH		2	*		
140-1	5928008010	SHOE,CLUTCH	O	2			
141	0031008000	WASHER		2			
142	0200089911	WASHER M8		2	*		
142-1	267817-6	WASHER 8	O	2			
143	6252500400	CLUTCH BOLT		2	*		
143-1	266457-7	SHOULDER HEX. BOLT M6X25	O	2			
144	5926500900	GUARD,CASE OIL		2	*		
144-1	424530-1	OIL CASE GUARD	O	2			
145	0043605180	SCREW ASS'Y M5X18		4	*		
145-1	0119059510	SOCKET HEAD BOLT M5X14	O	4	*		
145-2	266811-5	H.S.H.BOLT M5X14	O	4			
146	5926500000	OIL CASE		1	*		
146-1	318442-7	OIL CASE	O	1			
147	5926500100	CASE GASKET		1	*		
147-1	162276-8	CASE GASKET	O	1			
148	0119049980	SOCKET HEAD BOLT M4X10		1	*		
148-1	266810-7	H.S.H.BOLT M4X10	<	1			
149	5921501100	RETAINER PLATE		1	*		
149-1	318440-1	RETAINER PLATE	O	1			
150	5921501000	REED VALVE		1	*		
150-1	346083-9	LEAD VALVE	O	1			
151	5921009003	CYLINDER BLOCK SET		1	*		
D10		INC.152,153			*		
151-1	5921026000	CYLINDER BLOCK SET	S	1	*		
D10		INC.152,153			*		
151-2	5921045000	CYLINDER BLOCK SET	S	1	*		
D10		INC.152,153			*		
151-3	135562-0	CYLINDER BLOCK ASSEMBLY	O	1			
D10		INC.152,153					
152	5921501400	SPACER		2	*		
152-1	5921501400	SPACER	O	2	*		
152-2	424200-2	SPACER	O	2			
153	0119059510	SOCKET HEAD BOLT M5X14		8	*		
153-1	0119059510	SOCKET HEAD BOLT M5X14	O	8	*		
153-2	266811-5	H.S.H.BOLT M5X14	O	8			
154	5921500700	CAMGEAR COVER GASKET		1	*		
154-1	162274-2	CAM GEAR COVER GASKET	O	1			
155	5921500502	CAMGEAR COVER		1	*		
155-1	318443-5	CAM GEAR COVER	O	1			
156	0043605140	SCREW ASS'Y M5X14		3	*		
156-1	0119059510	SOCKET HEAD BOLT M5X14	O	3	*		
156-2	266811-5	H.S.H.BOLT M5X14	O	3			
157	5926500600	OIL GAUGE		1	*		
157-1	450565-6	OIL GAUGE	O	1			
158	0213169990	GASKET		1	*		

Mặt hàng	Mã số phụ	Mô Tả	I/C	Qty	N/O	Sales	Note
158-1	424100-6	GASKET	O	1			
159	5925005001	STARTER ASS'Y		1			
D10		INC.160-167					
160	5195002060	SET SCREW		1	*		
160-1	266585-8	TAPPING SCREW 5X12	O	1			
161	5195019020	CAM PLATE		1	*		
161-1	451940-9	CAM PLATE	O	1			
162	5195019030	DAMPER SPRING		1	*		
162-1	233984-9	DAMPER SPRING	O	1			
163	5255050010	REEL		1	*		
163-1	451939-4	REEL	O	1			
164	5215002030	SPIRAL SPRING		1	*		
164-1	232258-5	SPIRAL SPRING	O	1			
165	5225004020	HANDLE		1	*		
165-1	424319-7	STARTER KNOB	O	1			
166	5925006010	STARTER ROPE		1			
167	5925022000	PULLEY		1	*		
167-1	168471-8	PULLEY	O	1			
168	6909539200	LABEL,MODEL		1			
169	0140049770	SCREW ASSY M4X16(W,SW)		2			
170	5236503900	FILTER		1	*		
170-1	163447-0	GASOLINE FILTER	O	1			
171	0561059990	HOSE CLAMP		1	*		
171-1	345920-4	HOSE CLAMP	O	1			
172	5036500300	PLATE		1	*		
172-1	424103-0	PLATE	O	1			
173	5926003000	TUBE		1	*		
173-1	168472-6	TUBE COMPLETE	O	1			
174	5036500200	PLATE		1	*		
174-1	424102-2	PLATE	O	1			
175	5926017000	FUEL TANK CAP ASSY		1	*		
D10		INC.176			*		
175-1	125472-9	FUEL TANK CAP ASSEMBLY	O	1			
D10		INC.176					
176	5256067000	STRAP		1	*		
176-1	140436-2	STRAP COMPLETE	O	1			
177	6249501501	STRAP		1			
178	5196500302	DAMPER		1	*		
178-1	424104-8	DAMPER	O	1			
179	5926500400	FUEL TANK		1	*		
179-1	450566-4	FUEL TANK	O	1	*		
179-2	455003-3	FUEL TANK	O	1	*		
179-3	450566-4	FUEL TANK	O	1			
180	5923501801	INSULATOR GASKET		1	*		
180-1	5923504700	INSULATOR GASKET	S	1	*		
180-2	413120-5	INSULATOR GASKET	O	1			
181	5923005002	INSULATOR COMPLETE		1	*		
D10		INC.182,183			*		

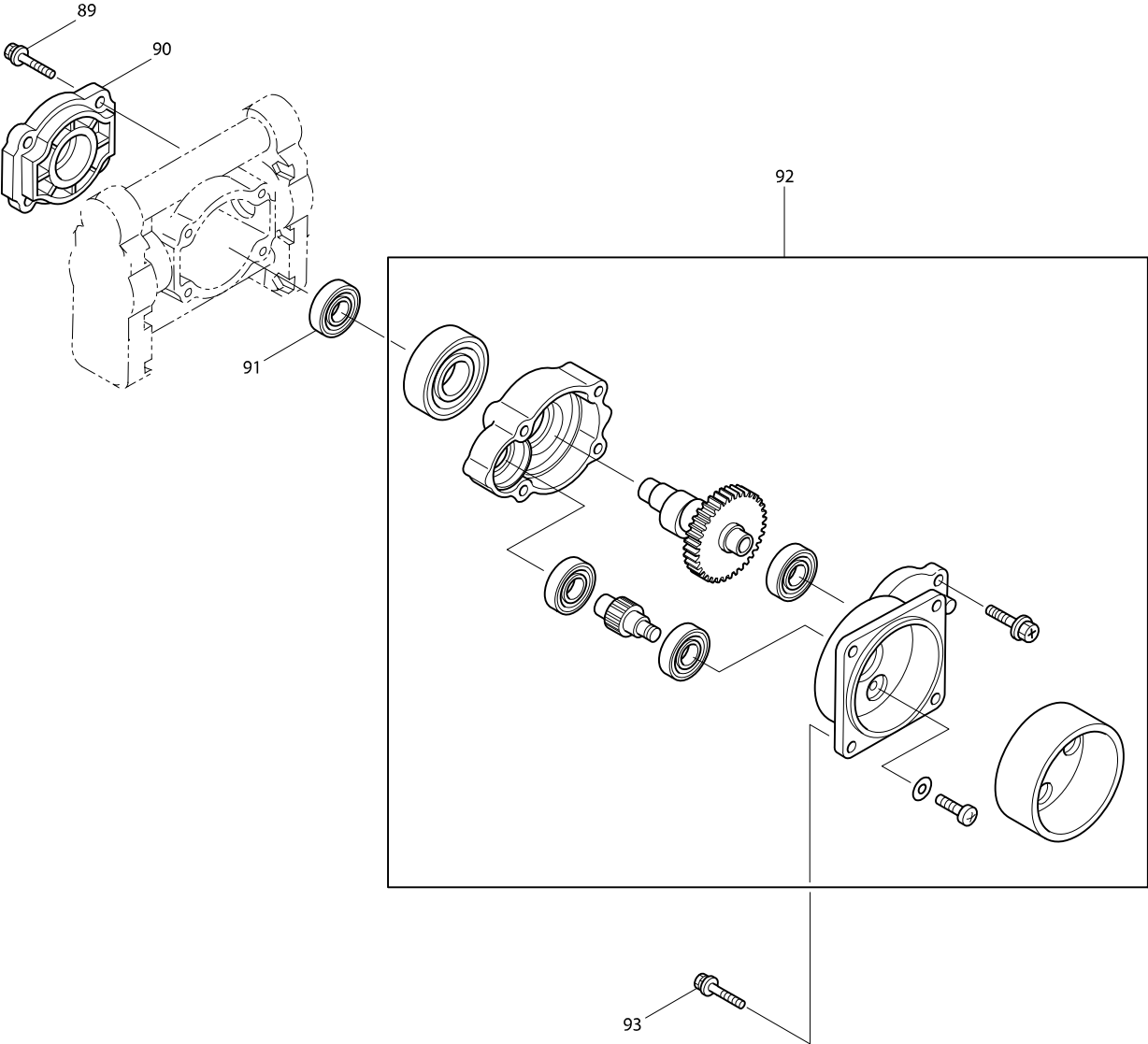
Mặt hàng	Mã số phụ	Mô Tả	I/C	Qty	N/O	Sales	Note
181-1	5923016000	INSULATOR COMPLETE	S	1	*		
181-2	450559-1	INSULATOR	O	1			
182	0021705000	NUT M5		2	*		
183	0022706000	NUT M6		1	*		
184	0022706000	NUT M6		1	*		
185	0149060120	ADJUSTING SCREW		1			
186	5923502000	CARBURETOR INSULATOR		1	*		
187	0043605180	SCREW ASS'Y M5X18		2	*		
187-1	0119059870	SOCKET HEAD BOLT M5X18	O	2	*		
187-2	266787-6	H.S.H.BOLT M5X18 WITH WR	O	2			
188	5923504000	CARBURETOR GASKET		1	*		
188-1	413121-3	CARBURETOR GASKET	O	1			
189	5926501300	CLAMP		1	*		
189-1	450562-2	CLAMP	O	1			
190	0140059370	SCREW ASS'Y M5X12		1	*		
190-1	0119059780	SOCKET HEAD BOLT M5X12	O	1	*		
190-2	922213-2	H.S.H.BOLT M5X12 WITH WR	O	1			
191	5926009000	CARBURETOR		1	*		
D10		INC.192-207			*		
191-1	168497-0	CARBURETOR	O	1			
D10		INC.192-207					
192	5316005120	RING		1	*		
192-1	257964-1	STOP RING E-3	O	1			
193	5236018040	SWIVEL		1	*		
193-1	325922-6	SWIVEL	O	1			
194	5426005030	WASHER		1	*		
194-1	413140-9	WASHER	O	1			
195	5206008030	PAN HEAD SCREW		2	*		
195-1	266581-6	PAN HEAD SCREW M3X8 WITH W	O	2	*		
195-2	WJ00096364	SCREW M3X8 WITH WASHER	O	2			
196	5926002020	PUMP SPRING		1	*		
196-1	234183-6	CONICAL COMPRESSION SPRING 5-9	O	1			
197	5246001010	O RING		1	*		
197-1	213538-8	O RING 2	O	1			
198	5196002020	JET		1	*		
198-1	325924-2	JET	O	1			
199	5926002040	PUMP GASKET		1	*		
199-1	442155-9	PUMP GASKET	O	1			
200	5246001040	PUMP DIAPHRAGM		1	*		
200-1	168575-6	PUMP DIAPHRAGM	O	1			
201	5236046010	PUMP COVER SCREW		4	*		
201-1	266582-4	TAPPING SCREW 3X24	O	4			
202	5236046050	PRIMER PUMP COVER		1	*		
202-1	346270-0	PRIMER PUMP COVER	O	1			
203	5246001150	PRIMER PUMP		1	*		
203-1	424314-7	PRIMER PUMP	O	1			
204	5236046140	AIR PURGE BODY ASS'Y		1	*		
204-1	140438-8	AIR PURGE BODY	O	1			

Mặt hàng	Mã số phụ	Mô Tả	I/C	Qty	N/O	Sales	Note
205	5926008010	METERING DIAPHRAGM ASS'Y		1	*		
205-1	168574-8	METERING DIAPHRAGM	O	1			
206	5236046040	METERING DIAPHRAGM GASKET		1	*		
206-1	442154-1	METERING DIAPHRAGM GASKET	O	1			
207	5926002140	PUMP BODY ASS'Y		1	*		
D10		INC.208			*		
207-1	140437-0	PUMP BODY	O	1			
D10		INC.208					
208	5016004010	INLET SCREEN		1	*		
208-1	352010-6	INLET SCREEN	O	1			
209	0561080010	HOSE CLAMP		1	*		
209-1	345918-1	HOSE CLAMP	O	1			
210	5921500900	BREATHER PIPE		1	*		
210-1	422041-0	BREATHER PIPE	O	1			
211	5923503001	PIPE		1	*		
211-1	422042-8	PIPE	O	1			
212	5923004003	CLEANER PLATE		1			
D10		INC.213-222					
213	5923502200	CHOKE LEVER		1	*		
213-1	451925-5	CHOKE LEVER	O	1			
214	0240159990	O RING P15		1	*		
214-1	213540-1	O RING 15	O	1			
215	5923006002	AIR CLEANER PLATE COMPLETE		1			
216	5923503200	AIR CLEANER ELEMENT		1			
217	5923502400	CHECK VALVE (1)		1	*		
217-1	424316-3	CHECK VALVE	O	1			
218	0240139970	O RING P14		1	*		
218-1	213539-6	O RING 14	O	1			
219	5923502500	CHECK VALVE PLATE		1	*		
219-1	451924-7	CHECK VALVE PLATE	O	1			
220	5316500701	CHECK VALVE		1	*		
220-1	424315-5	CHECK VALVE	O	1			
221	5923503500	GASKET SEPARATOR		1	*		
221-1	168577-2	SEPARATOR GASKET	O	1			
222	5933501600	SEPARATOR PLATE		1	*		
222-1	168576-4	SEPARATOR PLATE	O	1			
223	5923502700	AIR CLEANER COVER		1			
224	0140059480	SCREW ASS'Y M5X14		1	*		
224-1	266809-2	P.H.SCREW M5X14 WITH WR	O	1			
225	5923503100	SCREW M5X68 (W,SW SUS)		2	*		
225-1	265188-5	+PAN HEAD SCREW M5X68	O	2			
226	5923502600	PLATE		1	*		
226-1	345919-9	PLATE	O	1			
227	0213069990	GASKET		1	*		
227-1	423376-2	GASKET	O	1			
228	5923502301	CHOKE PLATE		1	*		
228-1	450560-6	CHOKE PLATE	O	1			
230	5923504600	INTAKE PIPE		1	*		

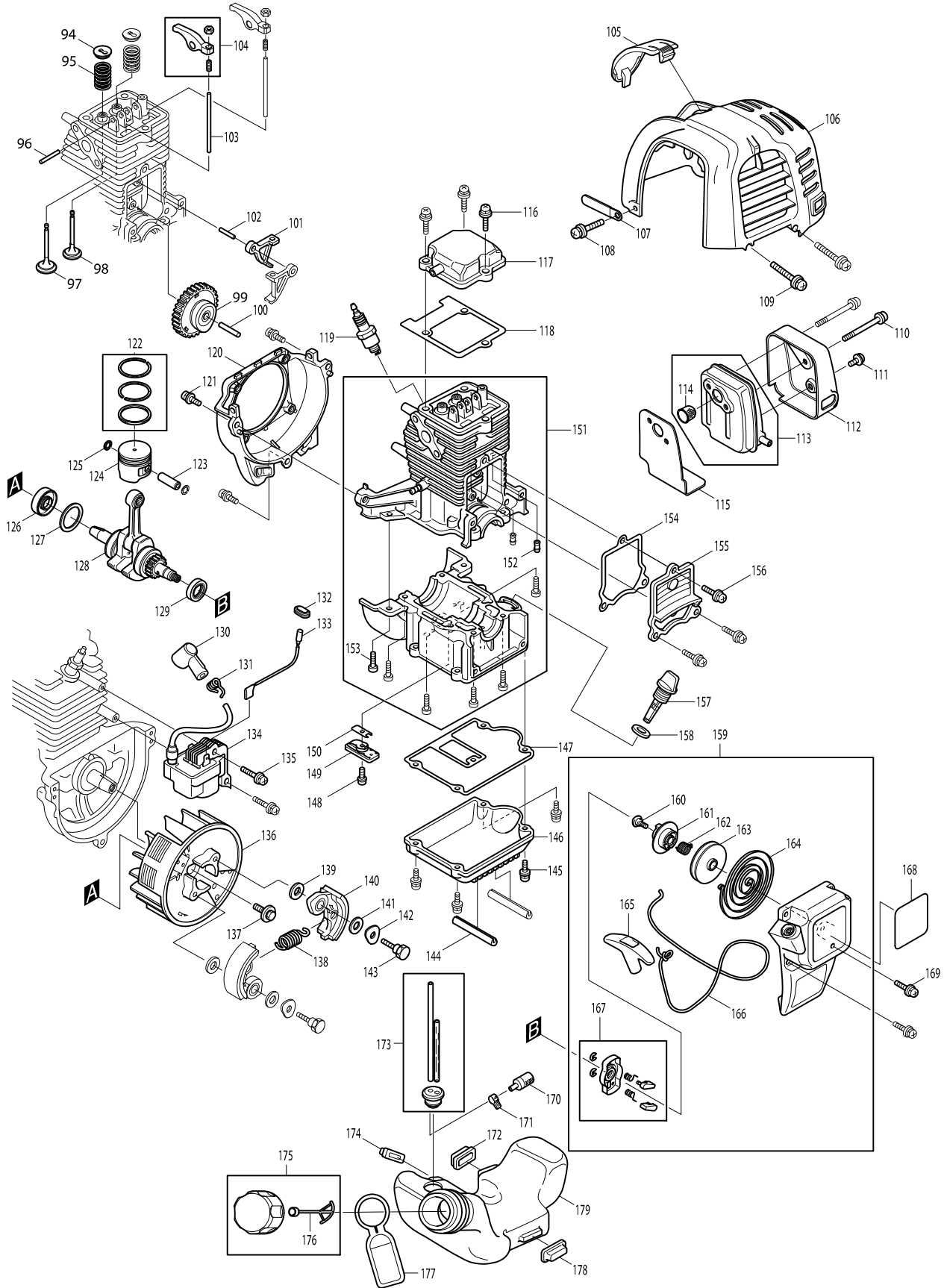
Mã số EVH2000 PETROL SPRAYER



Mã số EVH2000 PETROL SPRAYER



Mã số EVH2000 PETROL SPRAYER



Mã số EVH2000 PETROL SPRAYER

